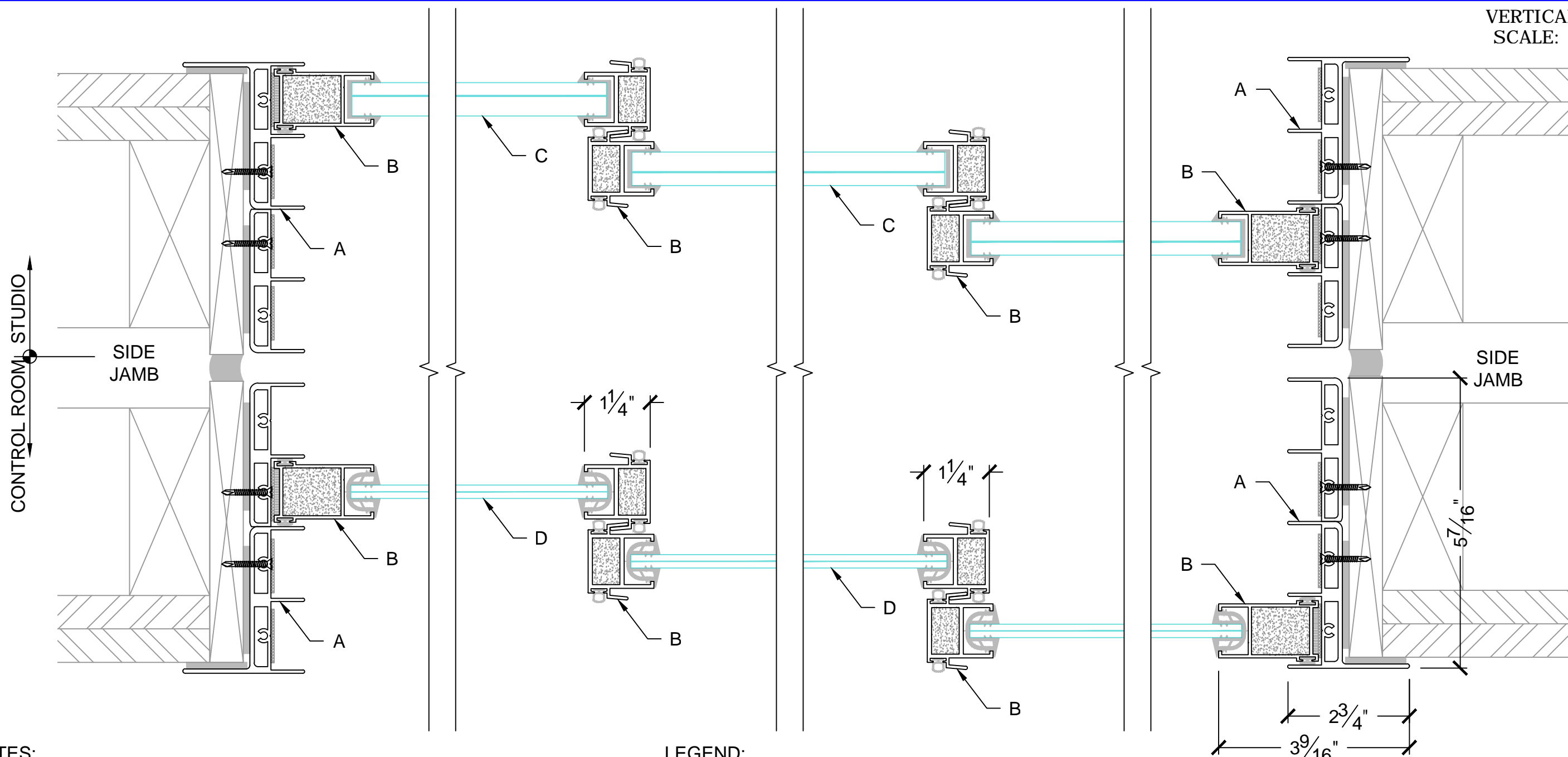


VERTICAL SECTION
SCALE: 3" = 1'-0"

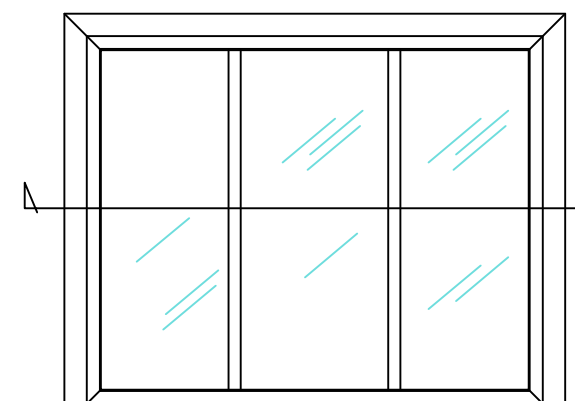


NOTES:

ALL PANELS ARE MOVEABLE AND REMOVABLE, ALLOWING FOR FULL ACCESS TO UTILIZE THE WALL OPENING WIDTH. THESE DRAWINGS SHOW OUR TELESCOPING MULTI-PANEL SLIDING GLASS DOOR. WE CAN MAKE 3, 4, 5, 6 OR MORE PANEL DOORS THAT TELESCOPE OPEN, GIVING EASY ACCESS, WIDE WIDTH OPENINGS AND TO OPEN UP ROOMS TO EACH OTHER.

LEGEND:

- A. DOOR FRAME - TYPICALLY ADDED IN MULTIPLE OF TWO TRACKS.
- B. MOVABLE AND REMOVABLE GLASS DOOR PANELS - TELESCOPING AS THEY OPEN.
- C. DOOR PANEL SHOWN WITH OUR SPECIAL 5/8" LAMINATED GLASS.
- D. DOOR PANEL WITH OUR 1/4" LAMINATED GLASS.



**SOUNDPROOF
WINDOWS, INC.**

soundproofwindows.com

1.877.438.7843

1.877.226.4063 fax

MULTI-TRACK SLIDING DOOR - 01

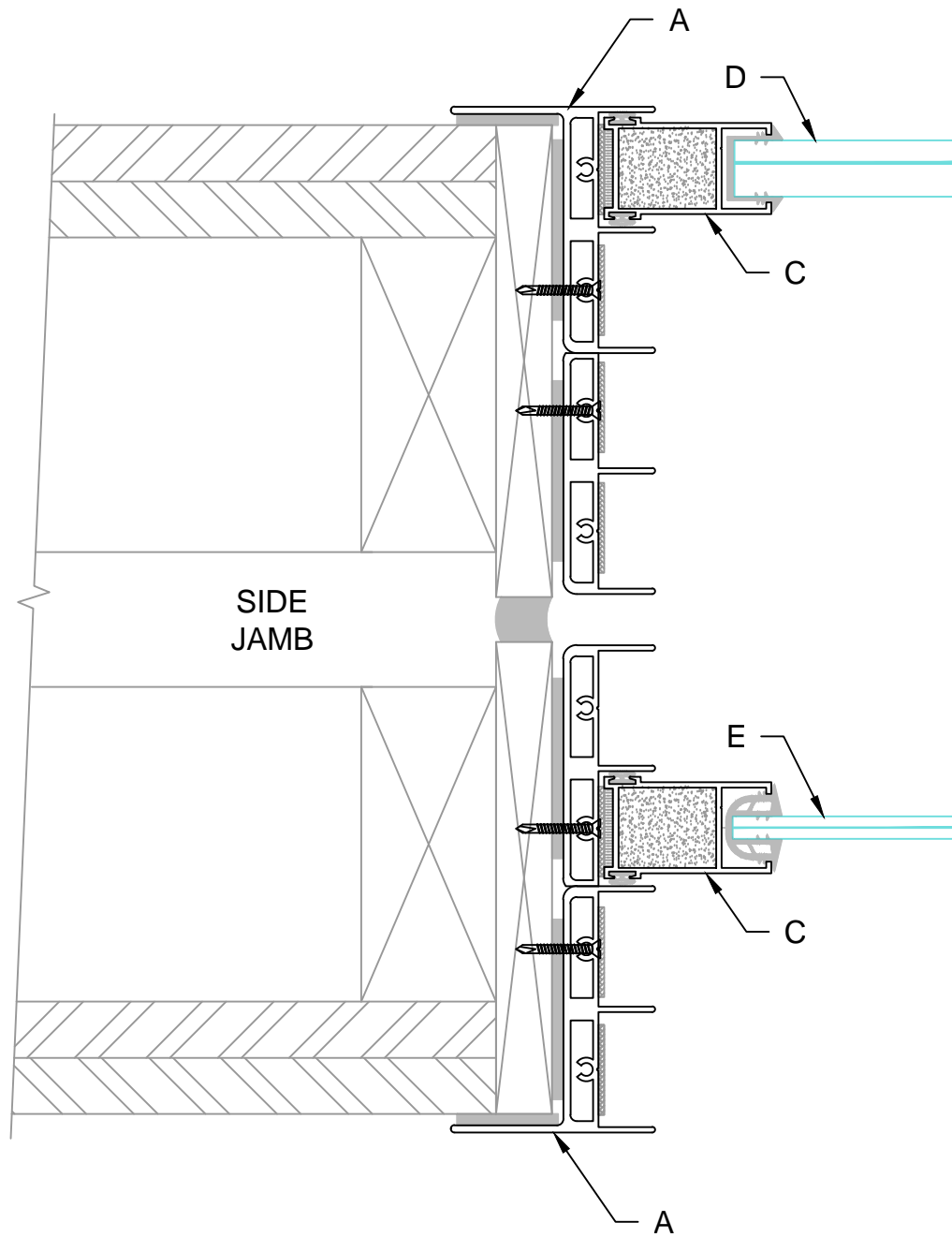
NOTES:

SOUNDPROOF WINDOW'S SLIDING GLASS DOOR PANELS CAN BE MULTI-TRACK TO ACCOMMODATE VERY WIDE OPENINGS. PANELS CAN TELESCOPE TOGETHER ALMOST 100%.

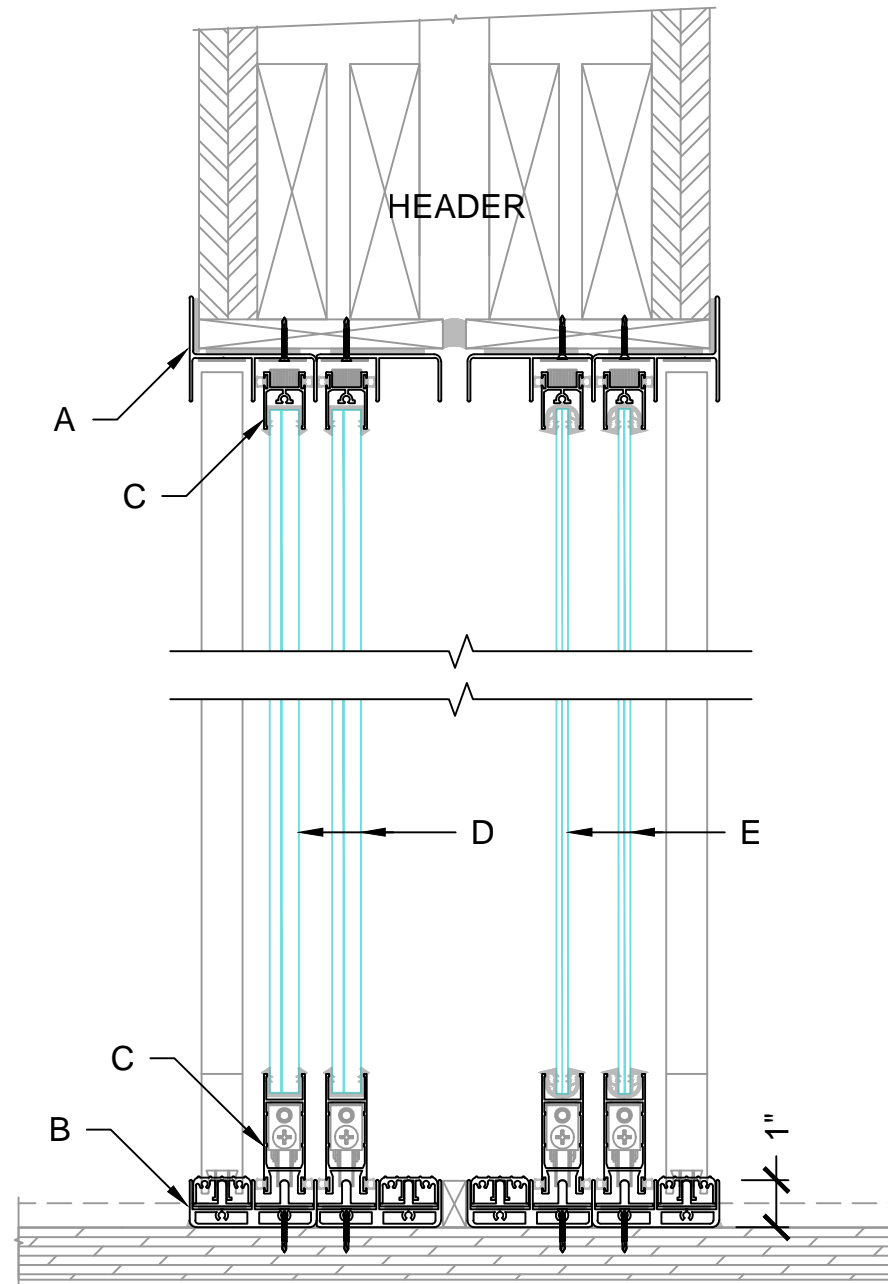
LEGEND:

- A. ALUMINUM FRAME COMPONENT AT HEADER AND SIDES.
- B. ALUMINUM FRAME COMPONENT AT SILL.
- C. MULTI-TRACK GLASS DOOR PANELS.
- D. CUSTOM 5/8" LAMINATED GLASS PANEL.
- E. 1/4" LAMINATED GLASS PANEL OPTION.

SEE #03 FOR DETAILED INFORMATION ABOUT FRAME INSTALLATION.



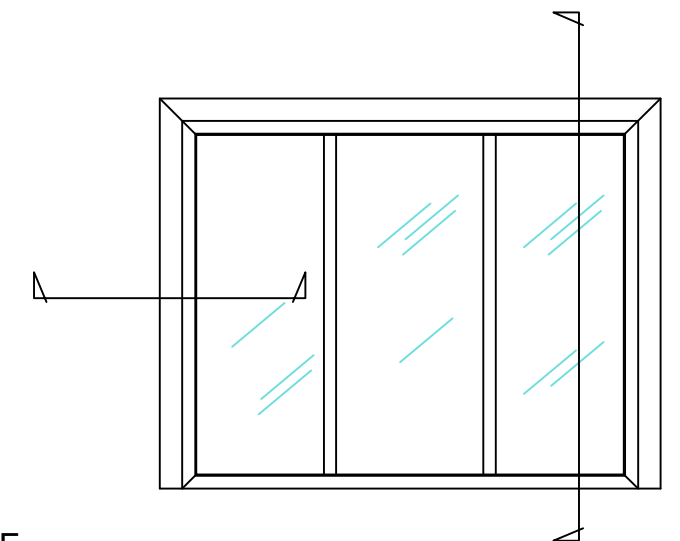
B HORIZONTAL SECTION
SCALE: N.T.S.

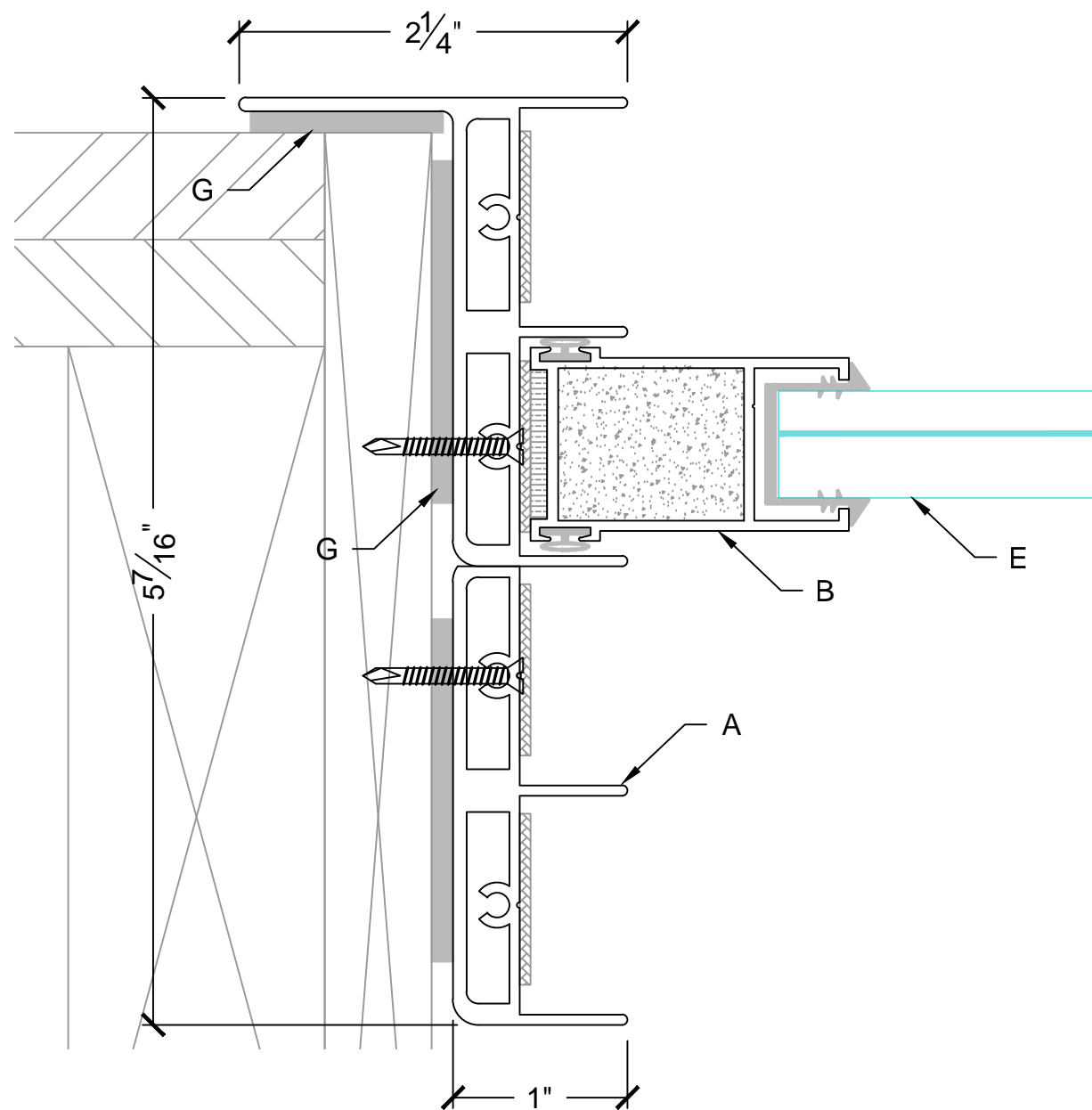


A VERTICAL SECTION
SCALE: N.T.S.

NOTE:

1. DOOR UNITS MAY BE MOUNTED DIRECTLY TO CONCRETE, WOOD OR FINISHED FLOOR SURFACES.
2. FOR ADA COMPLIANCE, PROVIDE MIN 1/2" FINISH MATERIAL ON BOTH SIDES OF BOTH FLOOR FRAME ASSEMBLIES.
3. FOR A COMPLETELY FLAT FLOOR/THRESHOLD, ADD FINISH OF YOUR CHOICE TO BRING FLOOR LEVEL UP 7/8" TO 1" TO MATCH FLOOR FRAME ASSEMBLY HEIGHT.

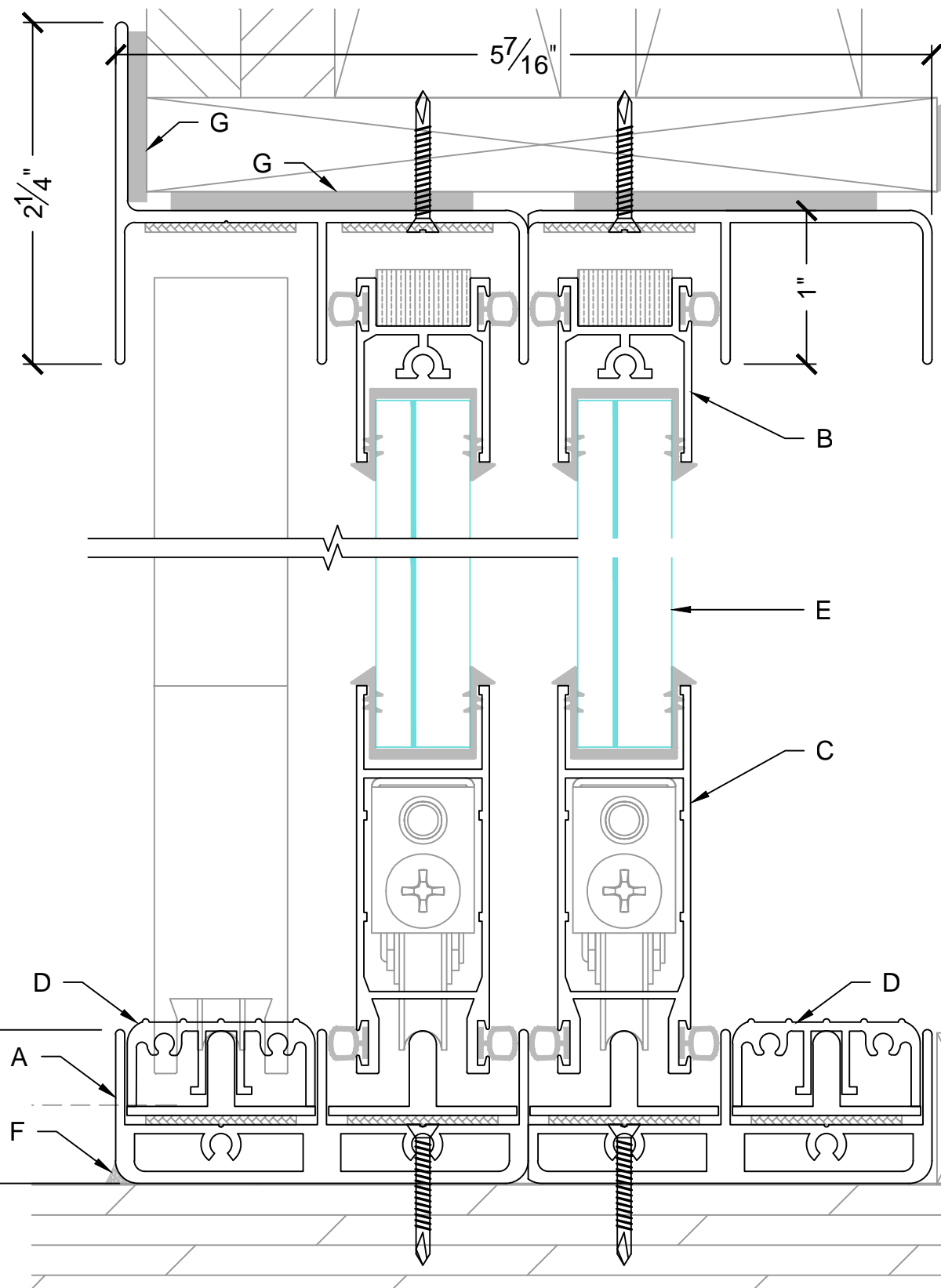




B SIDE WALL DETAIL

SCALE: 1:1

**STUDIO SLIDING DOOR
INSTALLATION MOUNTING DETAILS**



A SILL AND HEADER DETAIL

SCALE: 1:1

LEGEND:

- A. ALUMINUM FRAME COMPONENT INSTALLED ONTO EXISTING OPENING .
- B. SLIDING GLASS DOOR PANELS.
- C. SLIDING GLASS DOOR PANELS WHEEL MECHANISM.
- D. DOOR COVER TRACK INSERT USED TO COVER TRACK AND/OR BLOCK PANEL MOVEMENT. REMOVE TO OPERATE A BLOCKED (NORMALLY NON OPERABLE) PANEL. ALSO USED TO COVER UNUSED TRACKS.
- E. SOUNDPROOF WINDOWS CUSTOM 5/8" LAMINATED GLAZING SHOWN, 1/4" GLAZING OPTIONAL.
- F. PROVIDE CONTINUOUS CAULK BEAD WHERE REQUIRED.
- G. 1/8" THICK MOUNTING FOAM TAPE AS REQUIRED.

SOUNDPROOF STUDIO DOORS ARE CUSTOM MANUFACTURED TO THE EXISTING OR NEW CONDITIONS. MOUNTING SCREWS (SHOWN) ARE DEPENDENT UPON INSTALLATION CONDITIONS.



**SOUNDPROOF
WINDOWS, INC.**

soundproofwindows.com
1.877.438.7843
1.877.226.4063 fax

MULTI-TRACK SLIDING DOOR - 03