

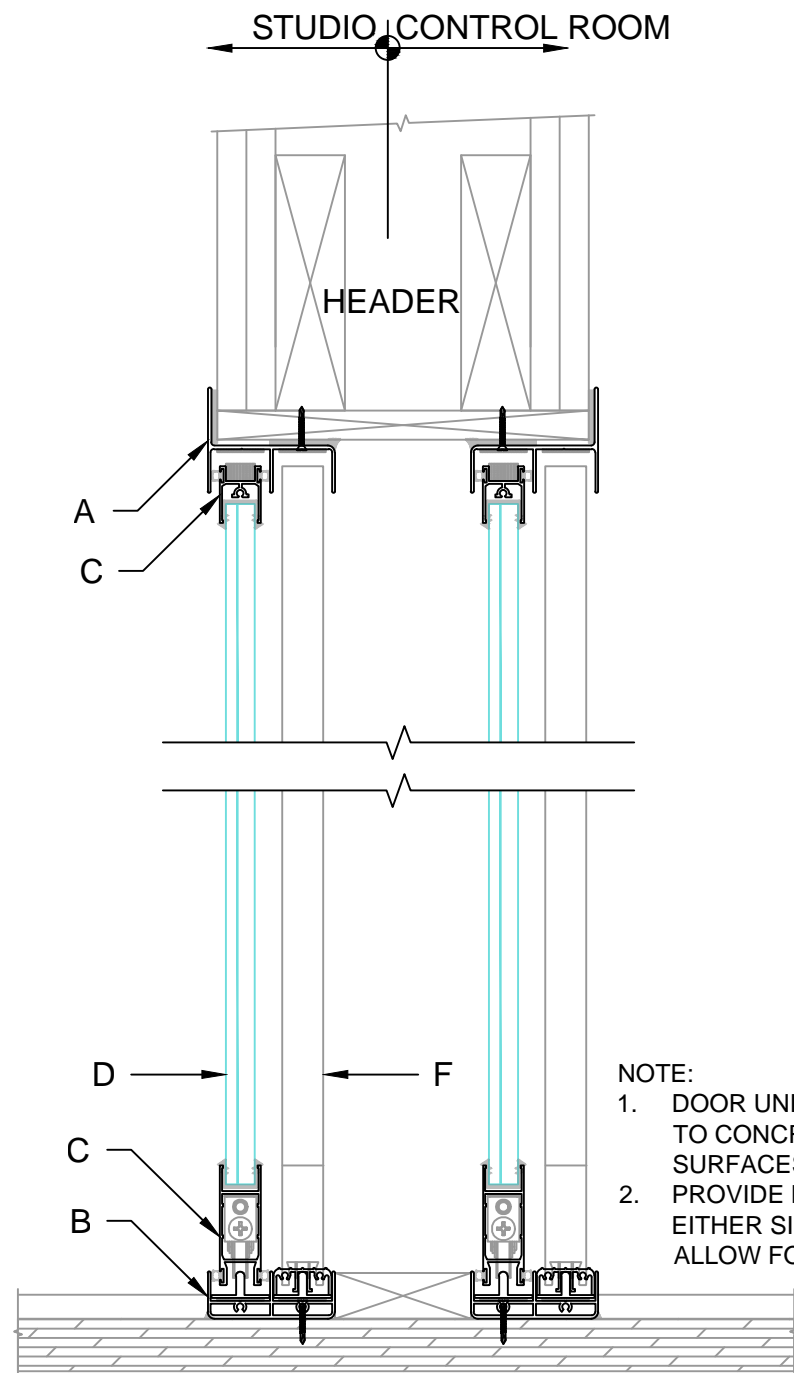
NOTES:

SOUNDPROOF WINDOWS STUDIO SLIDING DOOR UNITS ARE CUSTOM MANUFACTURED TO FIT ANY CONDITION. ALL FOUR PANELS ARE MOVEABLE AND REMOVABLE - ALLOWING FOR FULL WIDTH OPENING WHEN NEEDED FOR EQUIPMENT MOVING, ETC. DOOR OPENING CAN BE SETUP TO OPEN FROM THE LEFT OR THE RIGHT.

LEGEND:

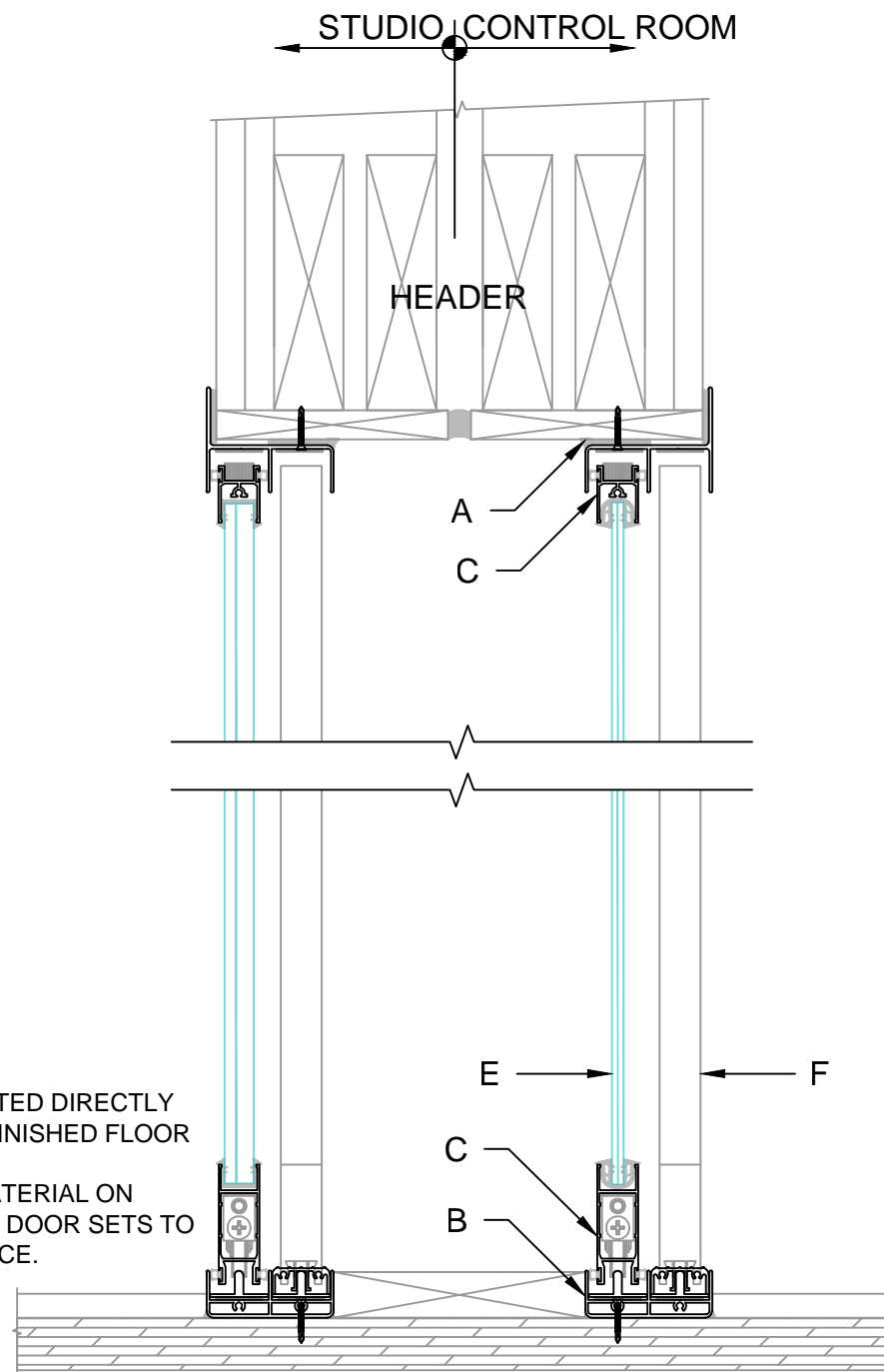
- A. ALUMINUM FRAME COMPONENT AT HEADER AND SIDES.
- B. ALUMINUM FRAME COMPONENT AT SILL.
- C. SOUND ISOLATED, MOVEABLE ALUMINUM SASH.
- D. SOUNDPROOF WINDOWS CUSTOM 5/8" LAMINATED GLAZING (TYP. AT SOUND STUDIO SIDE INSTALLATION, CONTROL ROOM SIDE OPTIONAL)
- E. 1/4" LAMINATED GLAZING (TYP. AT CONTROL ROOM SIDE INSTALLATION)
- F. STATIONARY DOOR UNIT (TYP.)

SEE #03 FOR DETAILED INFORMATION ABOUT FRAME INSTALLATION.

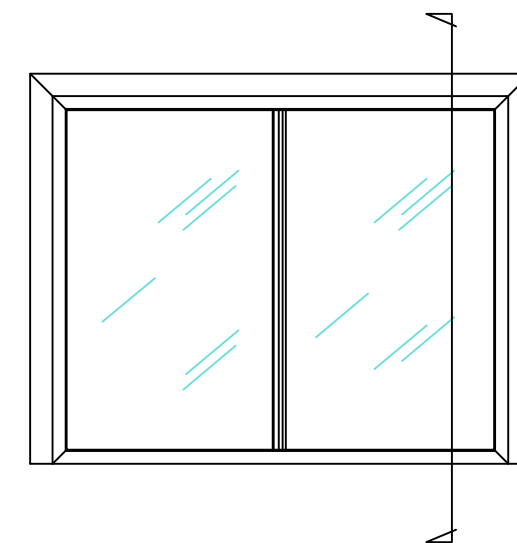


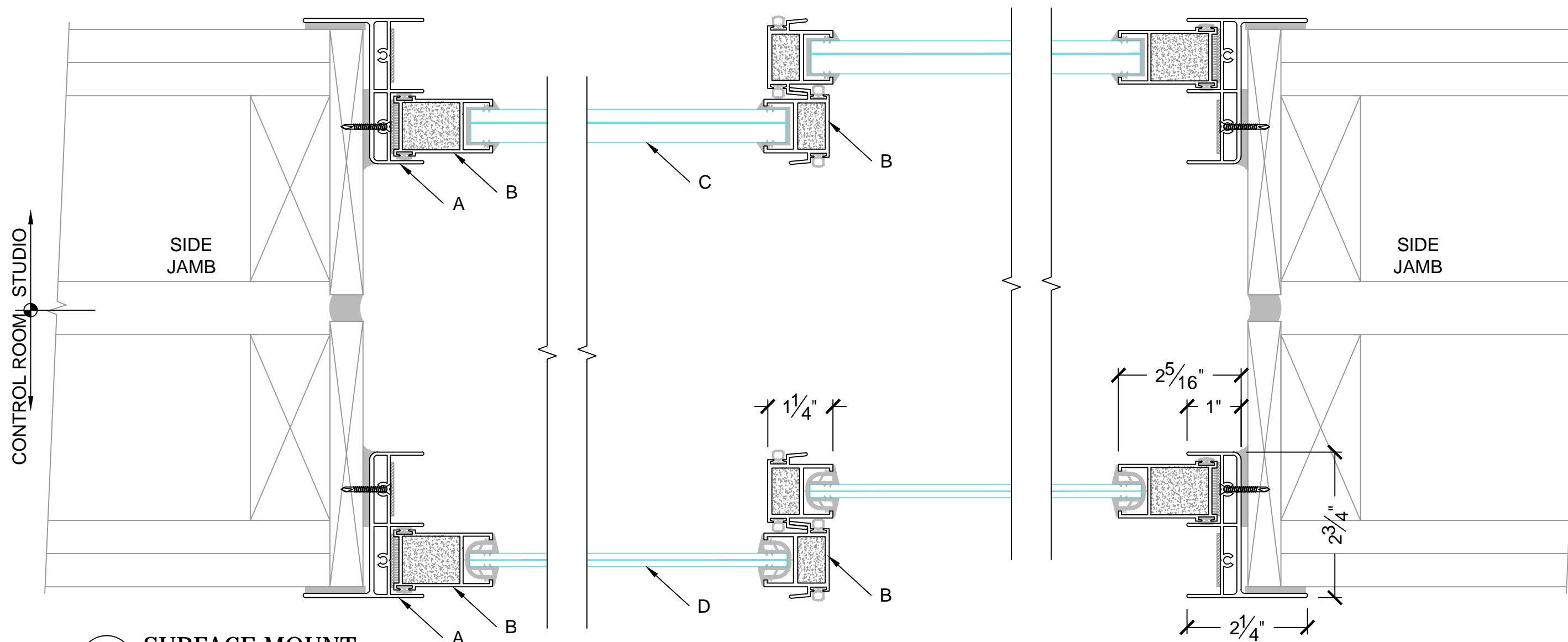
8" WALL CONSTRUCTION
INSTALLATION

- NOTE:
1. DOOR UNITS MAY BE MOUNTED DIRECTLY TO CONCRETE, WOOD OR FINISHED FLOOR SURFACES.
 2. PROVIDE MIN 1/2" FINISH MATERIAL ON EITHER SIDE AND BETWEEN DOOR SETS TO ALLOW FOR ADA COMPLIANCE.



10.5" WALL CONSTRUCTION
INSTALLATION





B SURFACE MOUNT

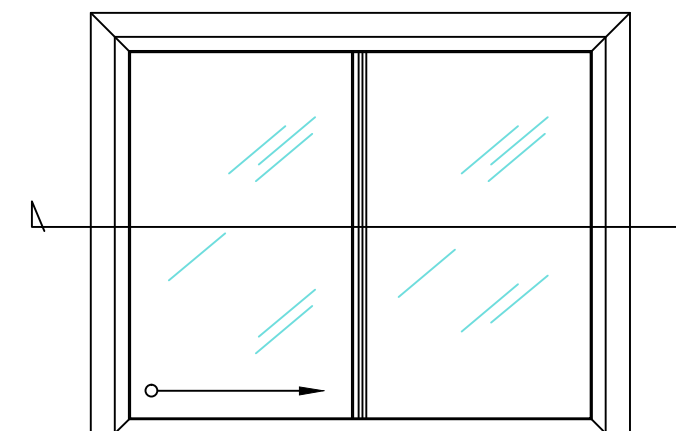
SCALE: 1:2

NOTES:
SOUNDPROOF WINDOWS STUDIO SLIDING DOOR UNITS ARE CUSTOM MANUFACTURED TO FIT ANY CONDITION. ALL FOUR PANELS ARE MOVEABLE AND REMOVABLE - ALLOWING FOR FULL WIDTH OPENING WHEN NEEDED FOR EQUIPMENT MOVING, ETC. DOOR OPENING CAN BE SETUP TO OPEN FROM THE LEFT OR THE RIGHT.

SEE #03 FOR DETAILED INFORMATION ABOUT FRAME INSTALLATION.

LEGEND:

- A. WINDOW UNIT ALUMINUM FRAME WITH FOAM TAPE AS REQUIRED.
- B. SOUND ISOLATED, MOVEABLE ALUMINUM SASH.
- C. SOUNDPROOF WINDOWS CUSTOM 5/8" LAMINATED GLAZING (TYP. AT STUDIO SIDE).
- D. 1/4" LAMINATED GLAZING, OPTIONAL AT CONTROL ROOM SIDE.

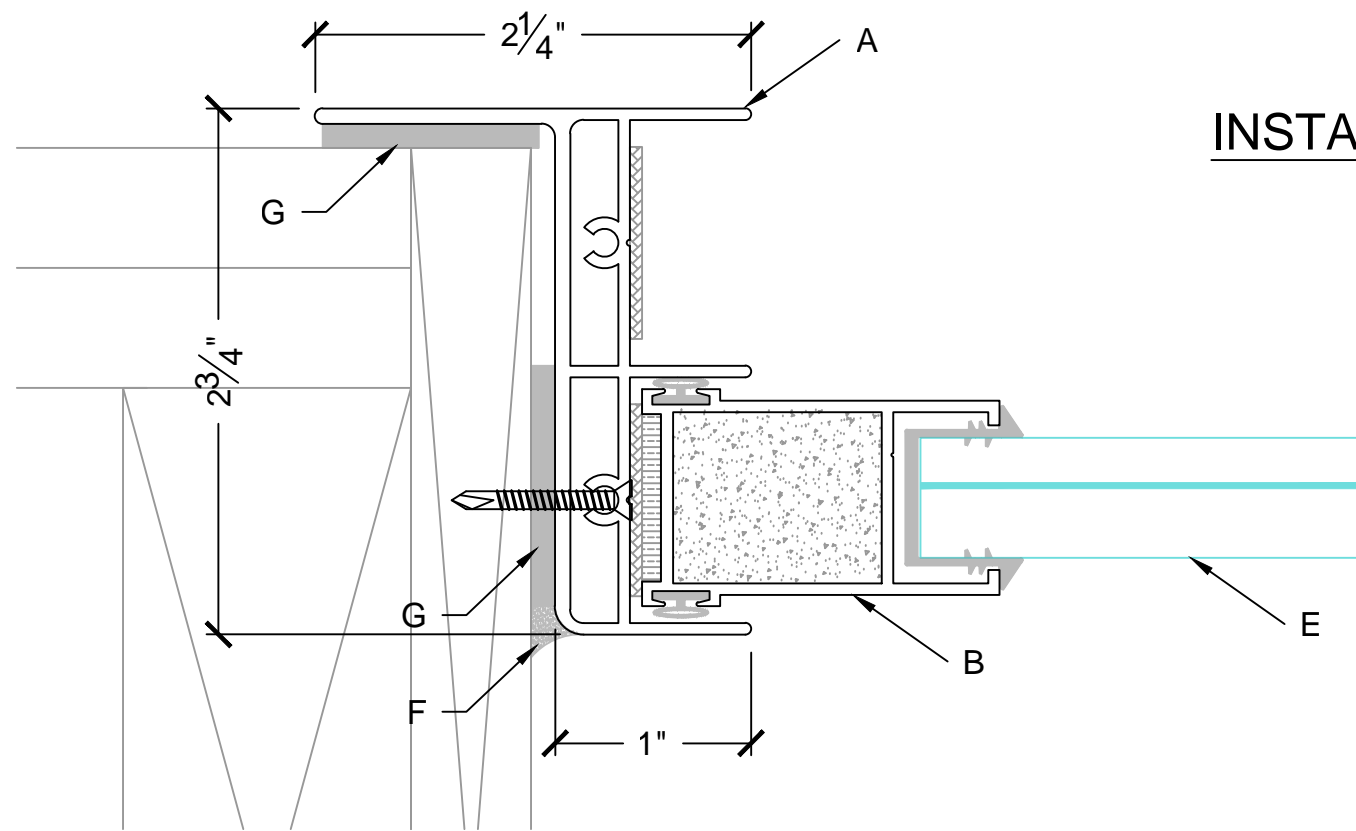


soundproofwindows.com

1.877.438.7843

1.877.226.4063 fax

STUDIO SLIDING DOOR- 02



B SIDE WALL DETAIL
SCALE: 1:1

LEGEND:

- A. ALUMINUM FRAME COMPONENT INSTALLED ONTO EXISTING OPENING .
- B. SOUND INSULATED MOVABLE ALUMINUM SASH COMPONENT WITH GLAZING BOOT, TYP.
- C. SOUND INSULATED ALUMINUM SASH WITH INSET ROLLING MECHANISM.
- D. DOOR BLOCK TRACK INSERT. REMOVE TO ALLOW BOTH PANELS TO OPERATE OR REMOVED FOR EXPANDED ACCESS.
- E. SOUNDPROOF WINDOWS CUSTOM 5/8" LAMINATED GLAZING SHOWN, 1/4" GLAZING OPTION AS NECESSARY.
- F. PROVIDE CONTINUOUS CAULK BEAD WHERE REQUIRED.
- G. 1/8" THICK MOUNTING FOAM TAPE AS REQUIRED.

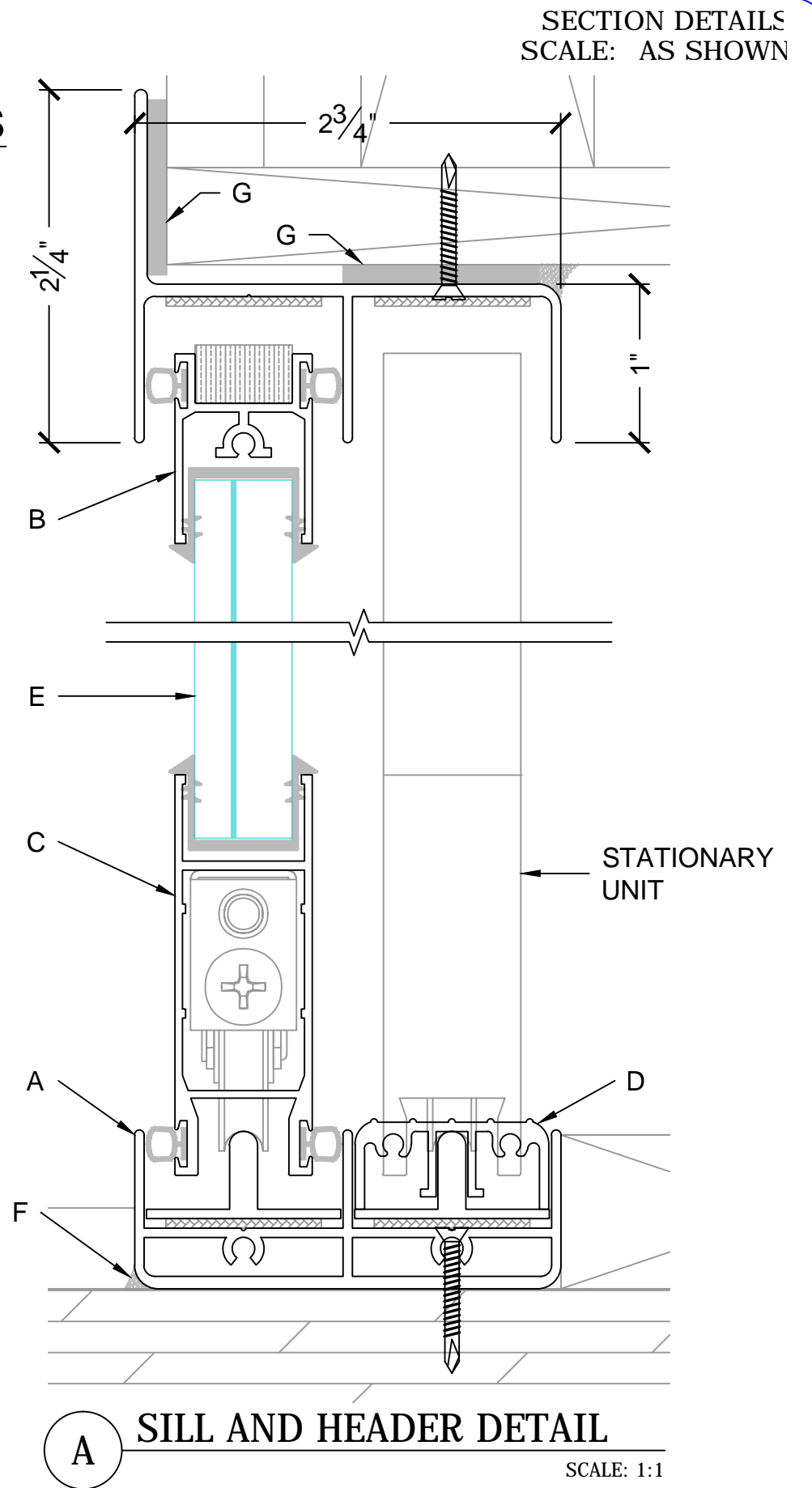
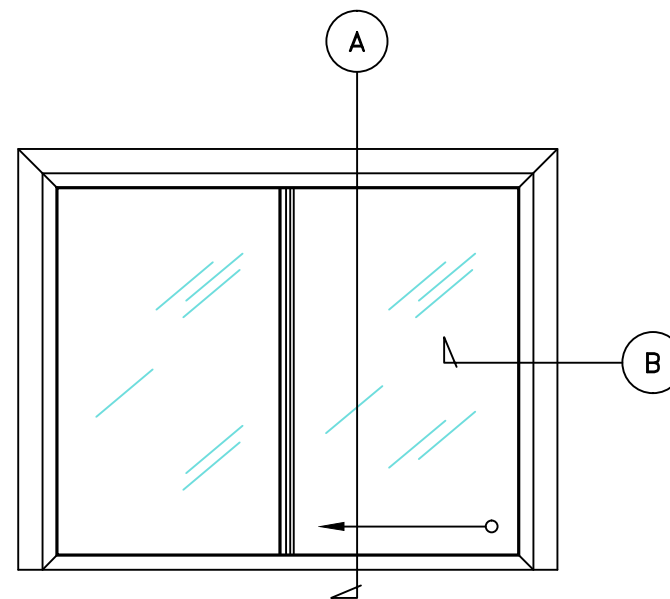
SOUNDPROOF STUDIO DOORS ARE CUSTOM MANUFACTURED TO THE EXISTING OR NEW CONDITIONS. MOUNTING SCREWS (SHOWN) ARE DEPENDENT UPON INSTALLATION CONDITIONS.

SOUNDPROOF[®]
WINDOWS, INC.
soundproofwindows.com
1.877.438.7843
1.877.226.4063 fax

INSTALLATION MOUNTING DETAILS

NOTE:

1. DOOR UNITS MAY BE MOUNTED DIRECTLY TO CONCRETE, WOOD OR FINISHED FLOOR SURFACES.
2. PROVIDE MIN 1/2" FINISH MATERIAL ON EITHER SIDE AND BETWEEN DOOR SETS TO ALLOW FOR ADA COMPLIANCE.



A SILL AND HEADER DETAIL
SCALE: 1:1

STUDIO SLIDING DOOR - 03