

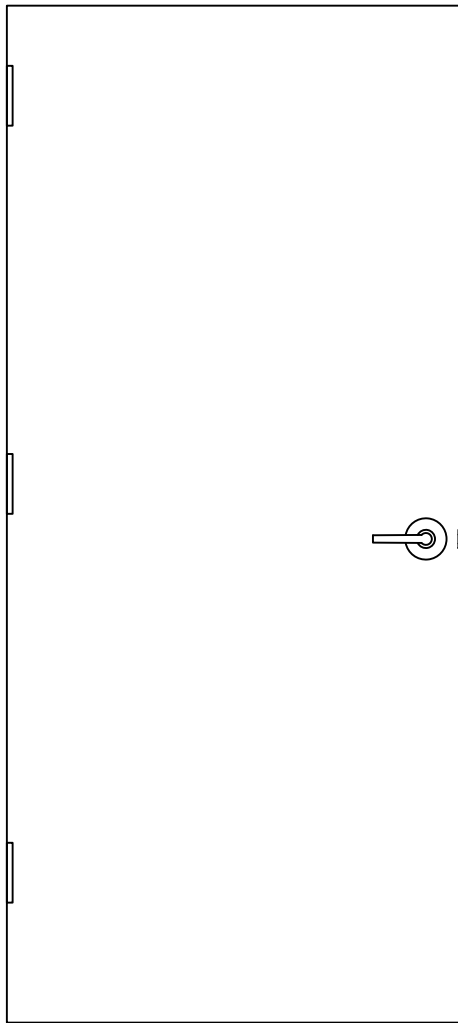
NOTES:

SOUNDPROOF STEEL DOORS ARE CUSTOM MADE  
WITH EASY TO INSTALL SLIP-IN FRAMES.

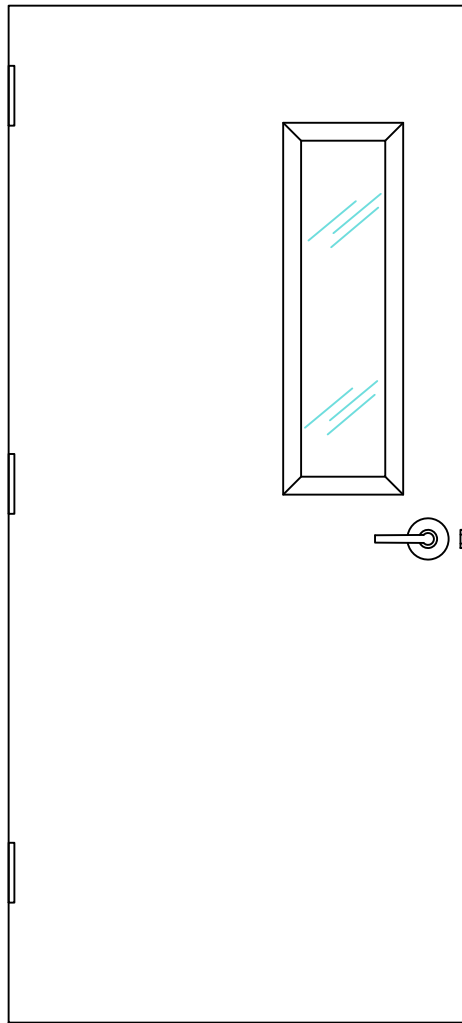
LEGEND:

- A. 1.75" THICK SOUNDPROOF STEEL DOOR..
- B. 3 CAM LIFT 900# CAPACITY HINGES - STANDARD.
- C. MANUFACTURED TO RECEIVE STANDARD  
LOCKSETS OR LOCKSET OF YOUR CHOICE.

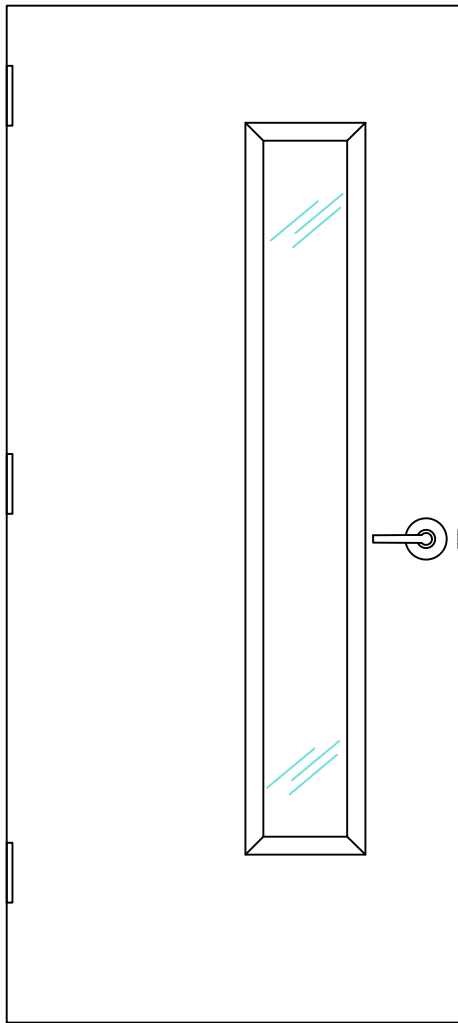
STEEL DOOR  
(NO GLASS)



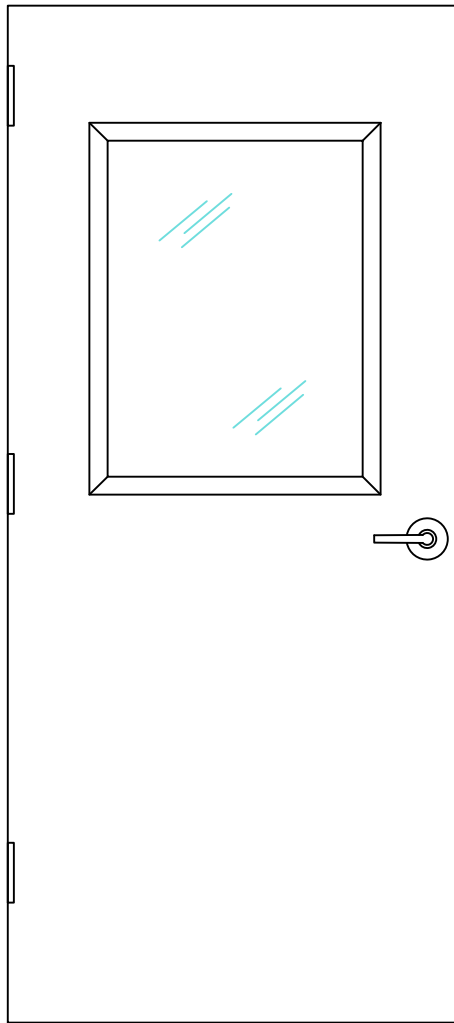
STEEL DOOR  
NARROW LITE



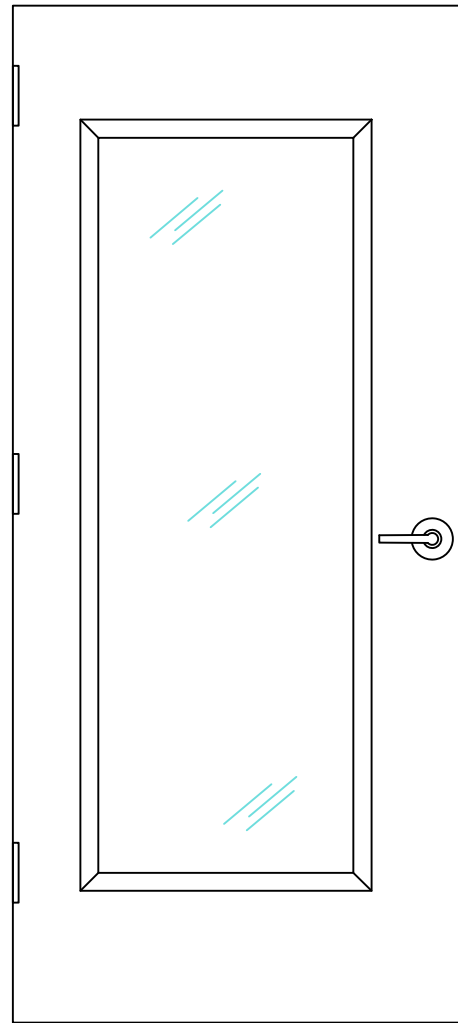
STEEL DOOR  
NARROW TALL LITE



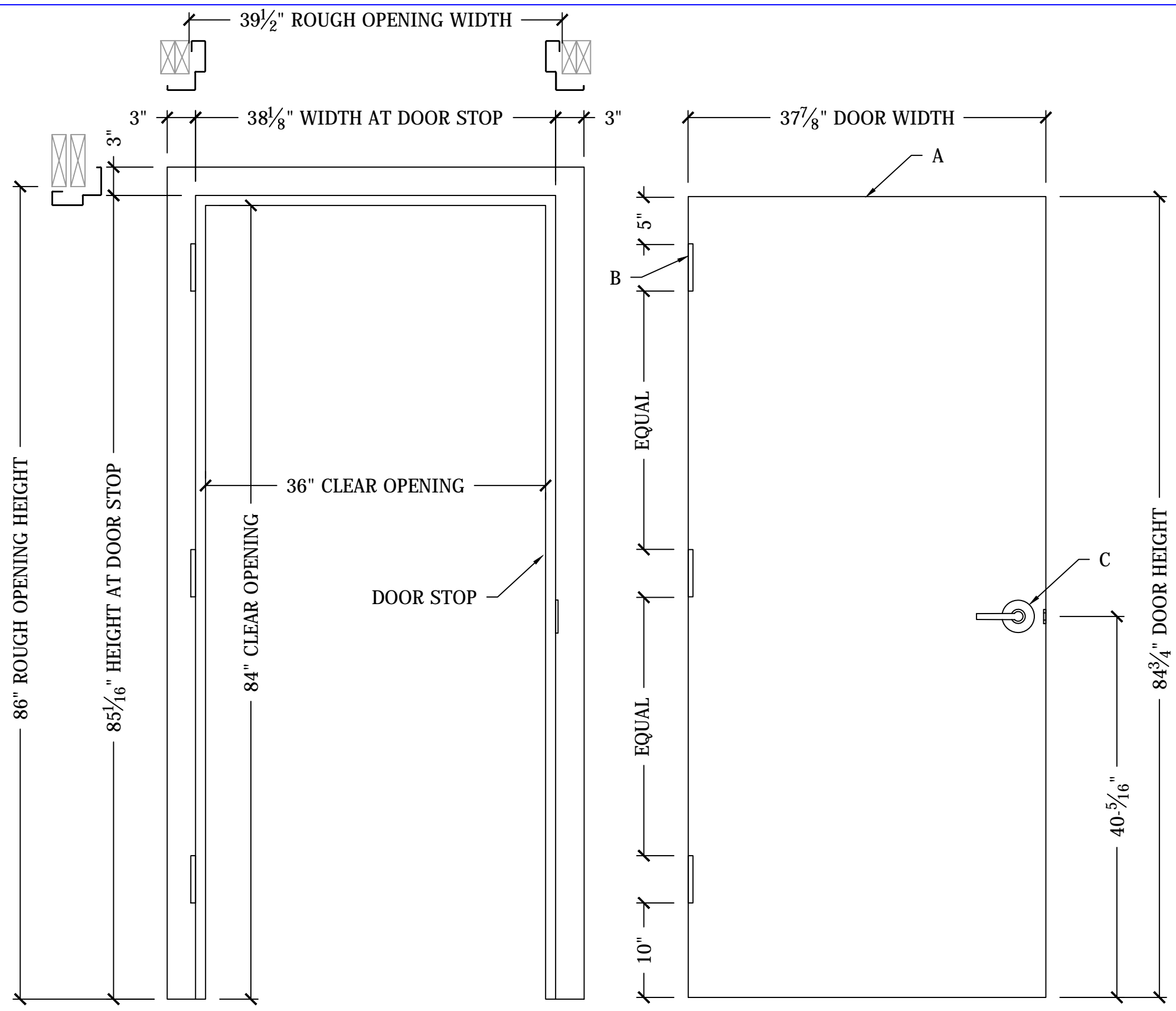
STEEL DOOR  
HALF LITE



STEEL DOOR  
FULL LITE



**A** DOOR GLASS OPTIONS  
SCALE: N.T.S.



NOTES:

ELEVATION  
SCALE: N.T.S.

SOUNDPROOF STEEL DOORS ARE CUSTOM MADE  
WITH EASY TO INSTALL SLIP-IN FRAMES.

LEGEND:

- A. 1.75" THICK SOUNDPROOF STEEL DOOR..
- B. 3 CAM LIFT 900# CAPACITY HINGES - STANDARD.
- C. MANUFACTURED TO RECEIVE STANDARD  
LOCKSETS OR LOCKSET OF YOUR CHOICE.

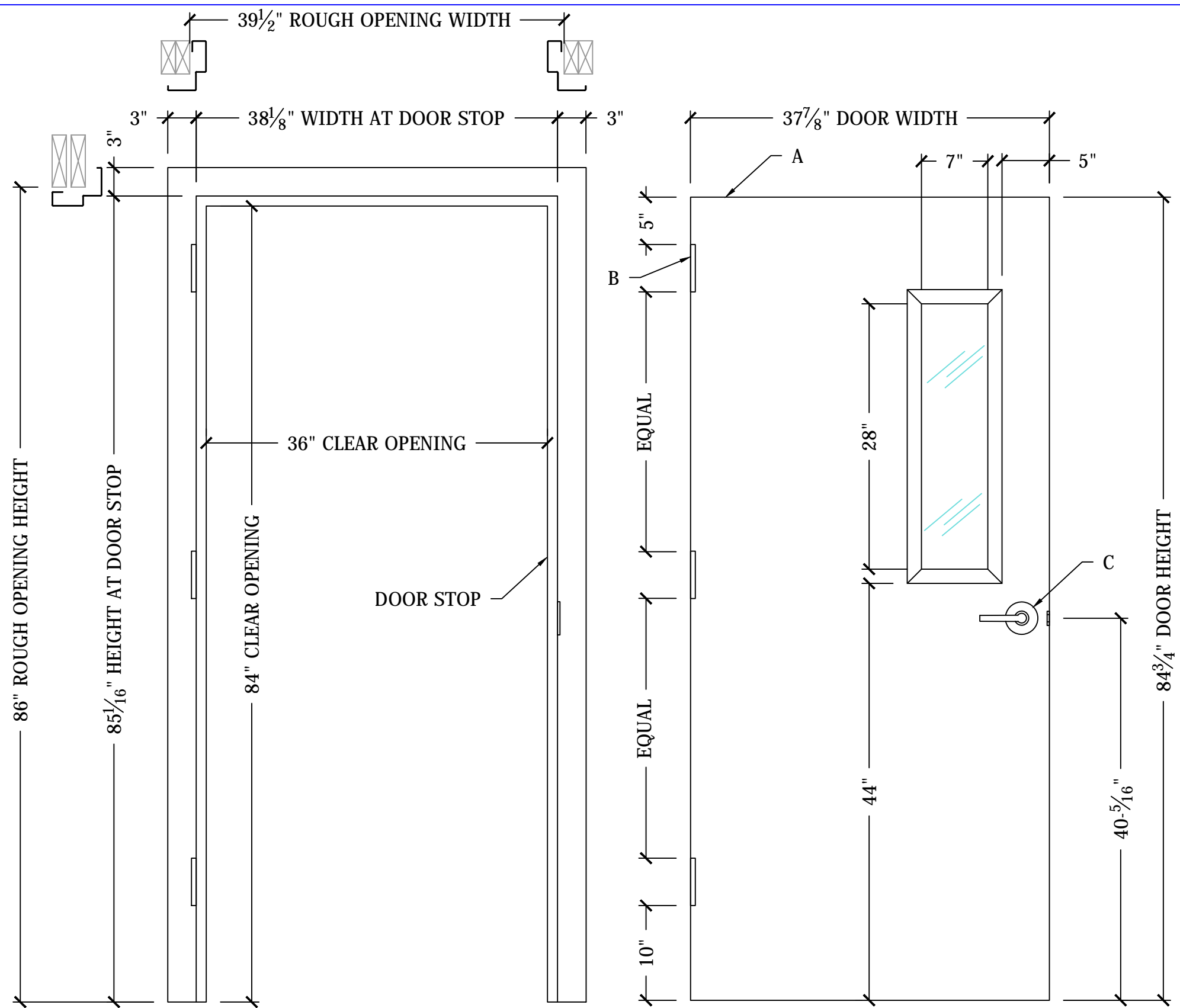
**A** TYPICAL 3070 DOOR

SCALE: N.T.S.



**SOUNDPROOF<sup>®</sup>  
WINDOWS, INC.**  
soundproofwindows.com  
1.877.438.7843  
1.877.226.4063 fax

# STEEL DOOR MODEL 175C1 - 02



NOTES:

ELEVATION  
SCALE: N.T.S.

SOUNDPROOF STEEL DOORS ARE CUSTOM MADE WITH EASY TO INSTALL SLIP-IN FRAMES.

LEGEND:

- A. 1.75" THICK SOUNDPROOF STEEL DOOR..
- B. 3 CAM LIFT 900# CAPACITY HINGES - STANDARD.
- C. MANUFACTURED TO RECEIVE STANDARD LOCKSETS OR LOCKSET OF YOUR CHOICE.

**SOUNDPROOF<sup>®</sup>**  
**WINDOWS, INC.**  
soundproofwindows.com  
1.877.438.7843  
1.877.226.4063 fax

**A** NARROW LITE STEEL DOOR  
SCALE: N.T.S.

# STEEL DOOR MODEL 175C1 - 03

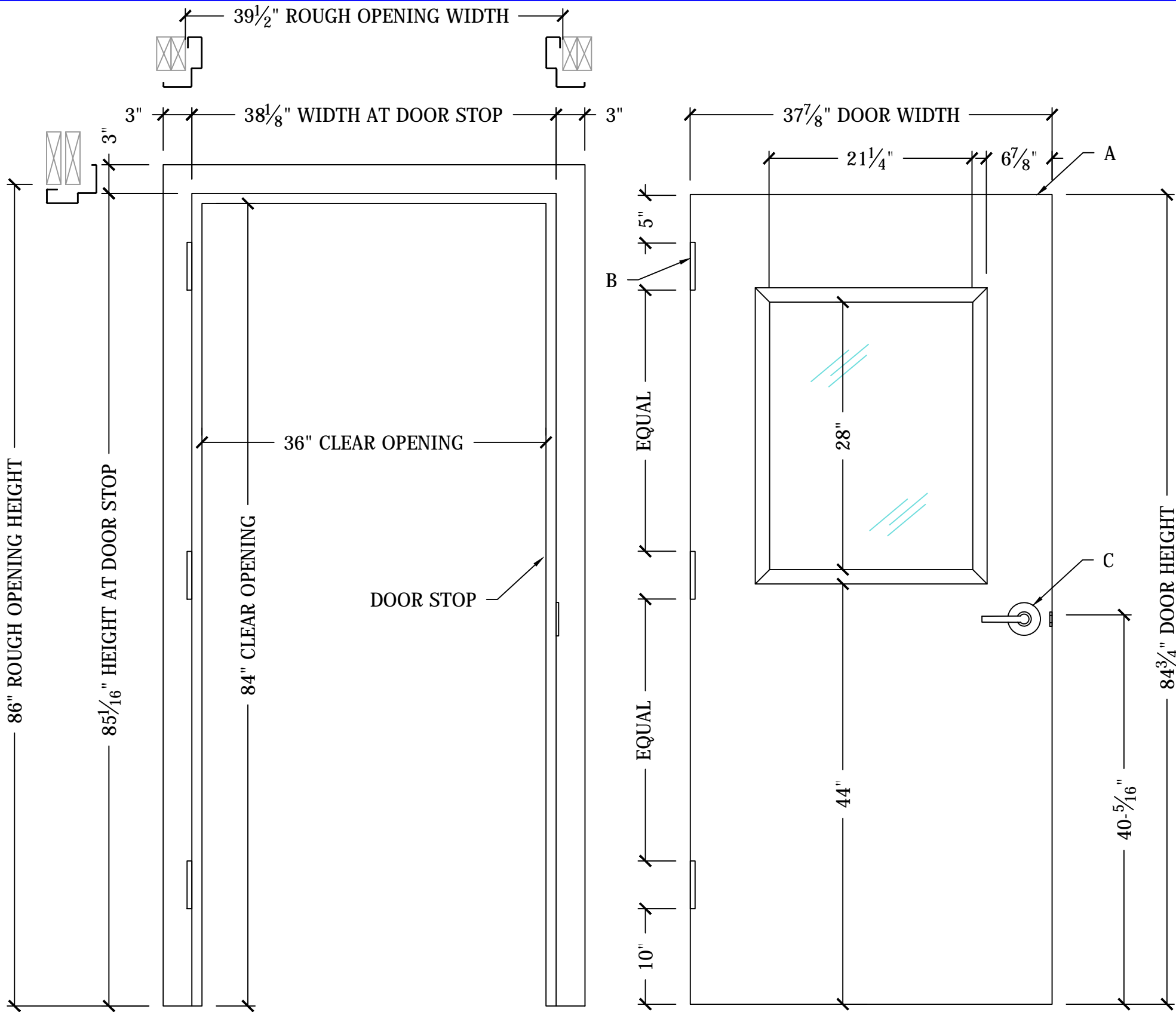
ELEVATION  
SCALE: N.T.S.

NOTES:

SOUNDPROOF STEEL DOORS ARE CUSTOM MADE  
WITH EASY TO INSTALL SLIP-IN FRAMES.

LEGEND:

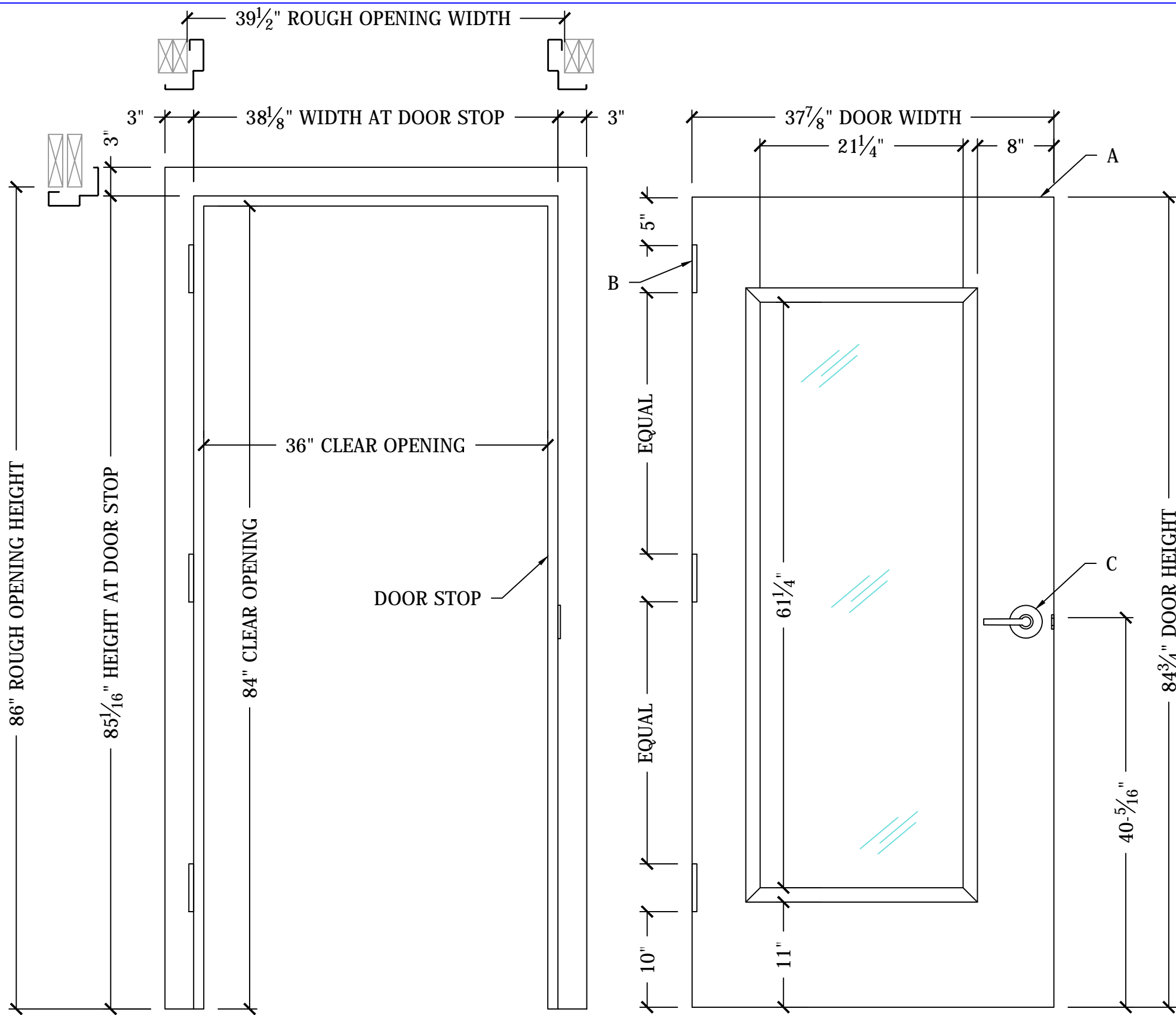
- A. 1.75" THICK SOUNDPROOF STEEL DOOR..
- B. 3 CAM LIFT 900# CAPACITY HINGES - STANDARD.
- C. MANUFACTURED TO RECEIVE STANDARD  
LOCKSETS OR LOCKSET OF YOUR CHOICE.



**A** HALF LITE STEEL DOOR  
SCALE: N.T.S.

 **SOUNDPROOF<sup>®</sup>  
WINDOWS, INC.**  
[soundproofwindows.com](http://soundproofwindows.com)  
 1.877.438.7843  
 1.877.226.4063 fax

# STEEL DOOR MODEL 175C1 - 04



NOTES:

ELEVATION  
SCALE: N.T.S.

SOUNDPROOF STEEL DOORS ARE CUSTOM MADE WITH EASY TO INSTALL SLIP-IN FRAMES.

LEGEND:

- A. 1.75" THICK SOUNDPROOF STEEL DOOR..
- B. 3 CAM LIFT 900# CAPACITY HINGES - STANDARD.
- C. MANUFACTURED TO RECEIVE STANDARD LOCKSETS OR LOCKSET OF YOUR CHOICE.

**A** FULL LITE STEEL DOOR  
SCALE: N.T.S.

 **SOUNDPROOF**<sup>®</sup>  
**WINDOWS, INC.**  
soundproofwindows.com  
1.877.438.7843  
1.877.226.4063 fax

# STEEL DOOR MODEL 175C1 - 05

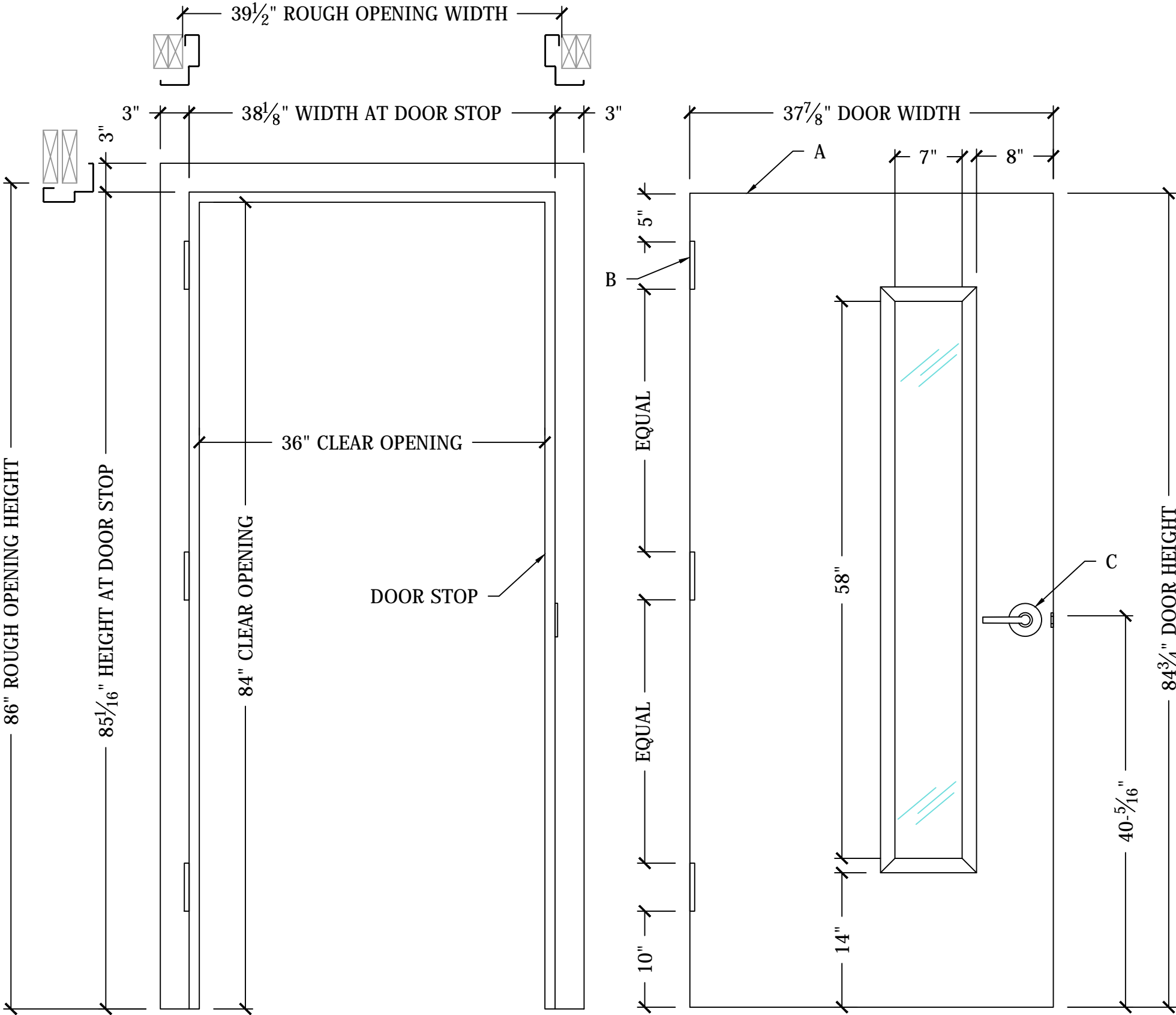
ELEVATION  
SCALE: N.T.S.

NOTES:

SOUNDPROOF STEEL DOORS ARE CUSTOM MADE WITH  
EASY TO INSTALL SLIP-IN FRAMES.

LEGEND:

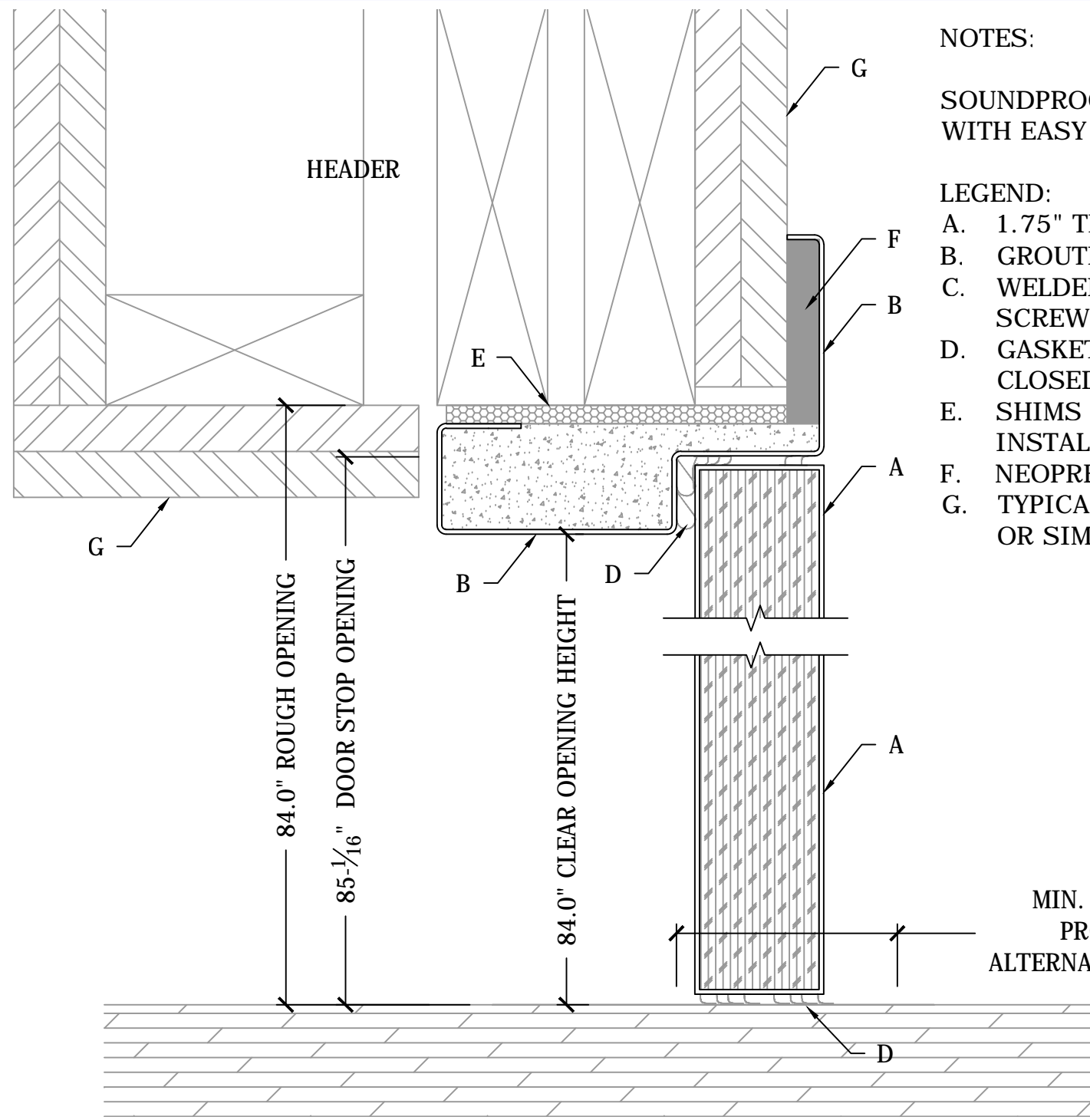
- A. 1.75" THICK SOUNDPROOF STEEL DOOR..
- B. 3 CAM LIFT 900# CAPACITY HINGES - STANDARD.
- C. MANUFACTURED TO RECEIVE STANDARD  
LOCKSETS OR LOCKSET OF YOUR CHOICE.



**A** NARROW TALL LITE STEEL DOOR  
SCALE: N.T.S.

**SOUNDPROOF<sup>®</sup>  
WINDOWS, INC.**  
[soundproofwindows.com](http://soundproofwindows.com)  
 1.877.438.7843  
 1.877.226.4063 fax

# STEEL DOOR MODEL 175C1 - 06



NOTES:

HORIZONTAL SECTION

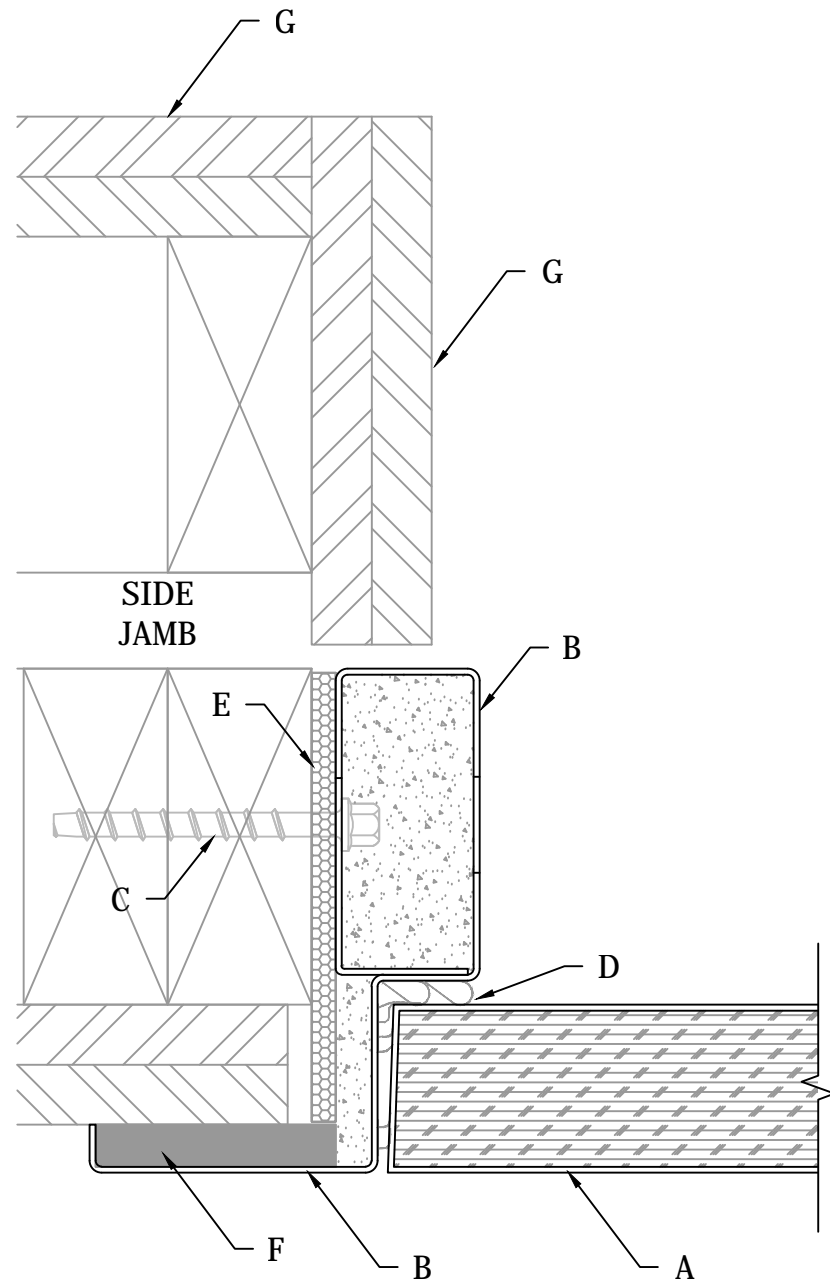
SCALE: 1:2

SOUNDPROOF STEEL DOORS ARE CUSTOM MADE WITH EASY TO INSTALL SLIP-IN FRAMES.

LEGEND:

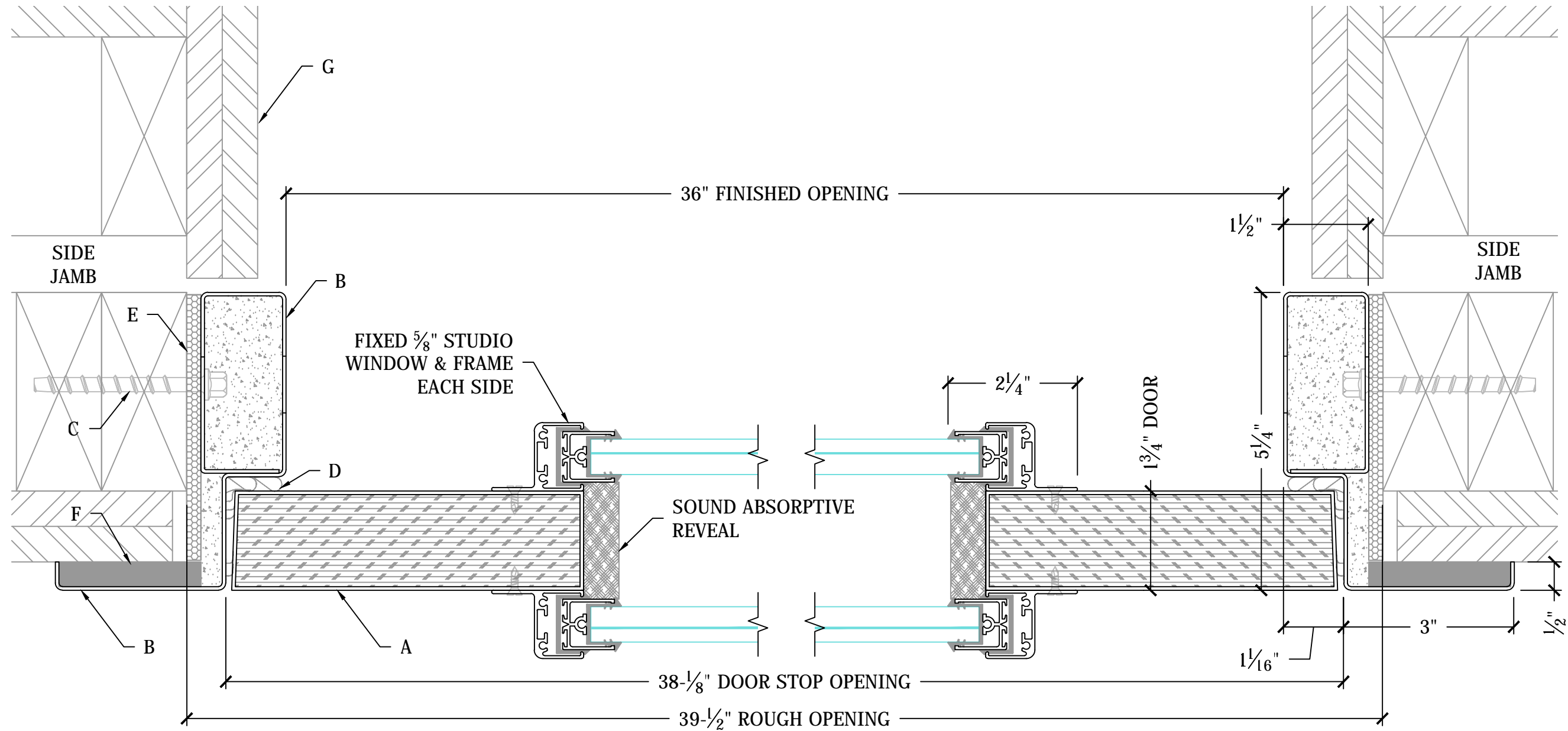
- A. 1.75" THICK SOUNDPROOF STEEL DOOR.
- B. GROUTED DOOR FRAME (FURNISHED).
- C. WELDED MOUNTING BRACKET W/ MOUNTING SCREWS AT JAMB SIDES ONLY.
- D. GASKETS & SEALS UNSEEN WHEN DOOR IS CLOSED.
- E. SHIMS AND ACOUSTIC CAULK FILL BY INSTALLER.
- F. NEOPRENE ACOUSTIC FOAM (FURNISHED).
- G. TYPICAL TWO LAYER DRY WALL CONSTRUCTION OR SIMILAR WALL FINISH BY OTHERS.

MIN. 3" FLAT AND SMOOTH SILL AREA  
 PROVIDE 1/8" CLEARANCE ABOVE  
 ALTERNATIVE FLOOR FINISHES (I.E.. CARPET)



**A** SIDE JAMB SECTION DETAIL  
 SCALE: 1:2

**B** HEADER & SILL SECTION DETAIL  
 SCALE: 1:2



NOTES:

DIMENSIONS SHOWN FOR A 36" WIDE DOOR WITH TYPICAL DOUBLE STUD WALL CONSTRUCTION.

LEGEND:

- A. 1.75" THICK SOUNDPROOF STEEL DOOR.
- B. GROUTED DOOR FRAME (FURNISHED).
- C. WELDED MOUNTING BRACKET W/ MOUNTING SCREWS AT JAMB SIDES ONLY.
- D. GASKETS & SEALS UNSEEN WHEN DOOR IS CLOSED.
- E. SHIMS AND ACOUSTIC CAULK FILL BY INSTALLER.
- F. NEOPRENE ACOUSTIC FOAM (FURNISHED).
- G. TYPICAL TWO LAYER DRY WALL CONSTRUCTION.

**A** SIDE JAMB SECTION DETAIL  
SCALE: 1:2



soundproofwindows.com

1.877.438.7843

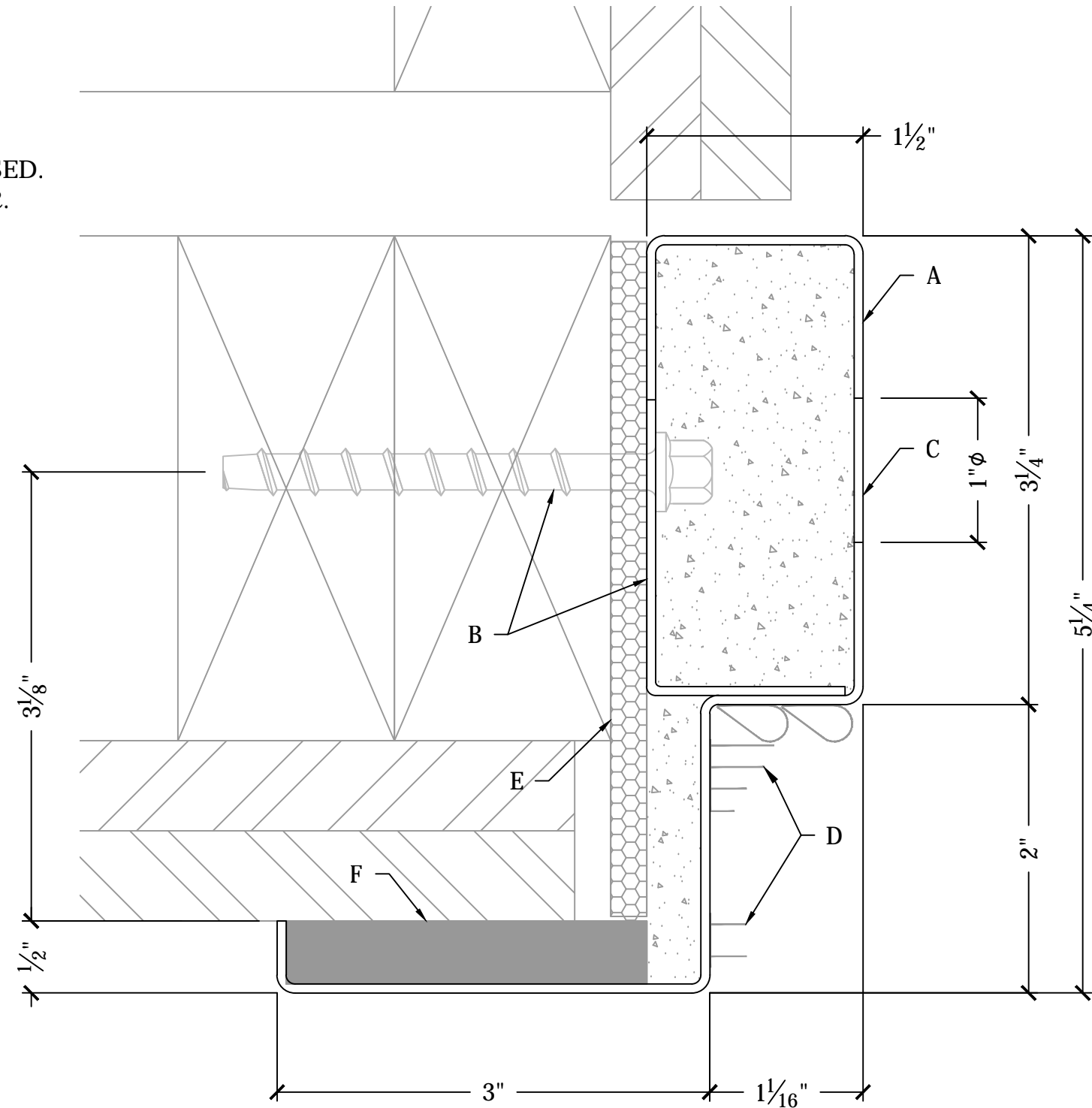
1.877.226.4063 fax

# STEEL DOOR MODEL 175C1 - D2



LEGEND:

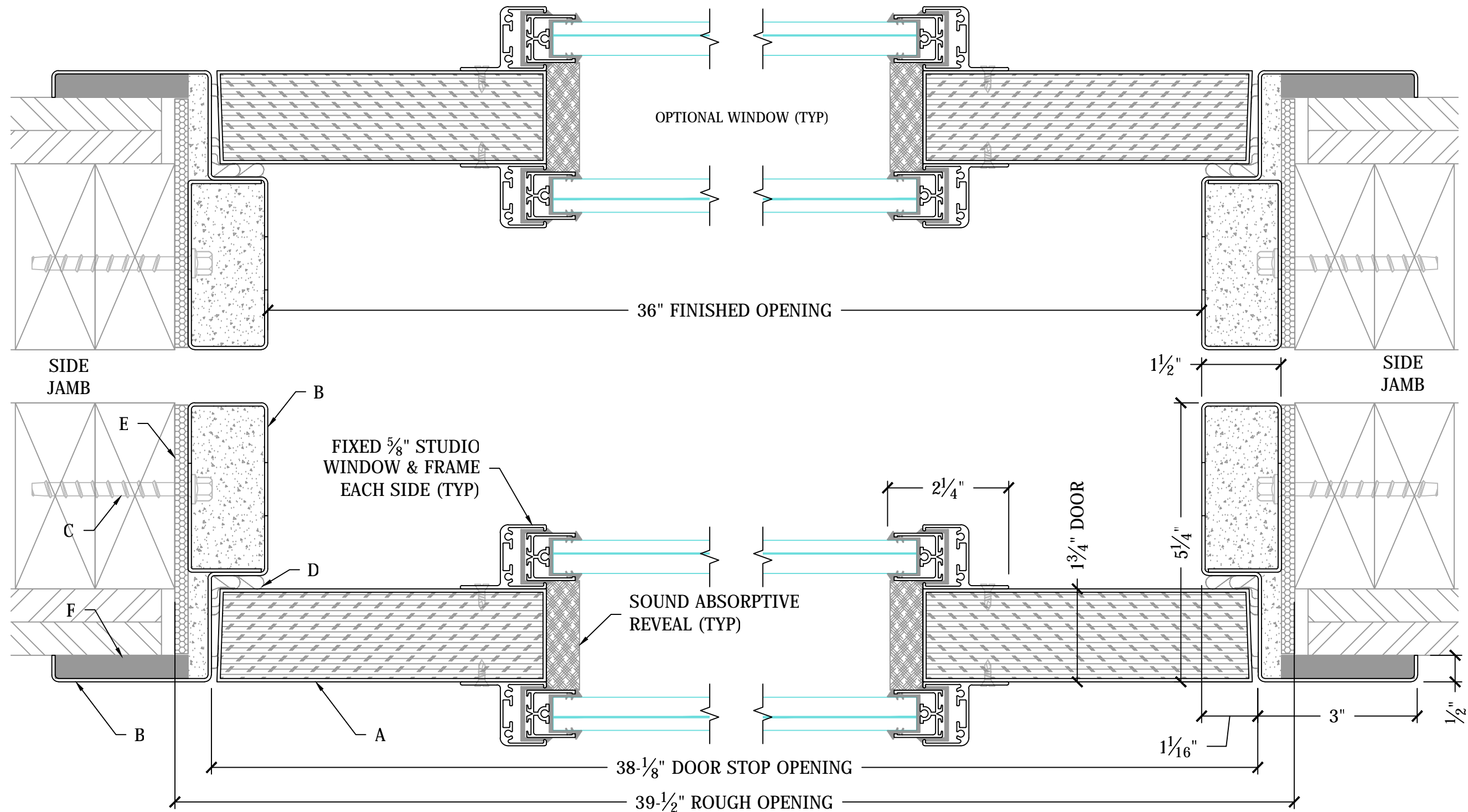
- A. GROUTED DOOR FRAME (FURNISHED).
- B. WELDED MOUNTING BRACKET W/ MOUNTING SCREWS AT JAMB SIDES ONLY.
- C. MOUNTING SCREW ACCESS HOLE.
- D. GASKETS & SEALS UNSEEN WHEN DOOR IS CLOSED.
- E. SHIMS AND ACOUSTIC CAULK FILL BY INSTALLER.
- F. NEOPRENE ACOUSTIC FOAM (FURNISHED).



**A** DOOR FRAME DETAIL

SCALE: 1:1

# STEEL DOOR MODEL 175C1 - D3



**A** COMMUNICATING DOOR DETAIL  
SCALE: 1:2

DRAWING OF A TYPICAL DOUBLE STUDDED WALL WITH COMMUNICATING DOOR LEAVES. HINGES CAN BE ON EITHER SIDE OF EITHER DOOR LEAF. REFER TO OTHER DRAWINGS FOR LABELED DETAILS.